

Indoor/Outdoor Dual Lens Pan/Tilt Security Camera

Tapo C246D



Synchronized Smart Detection and Tracking

3× Clarity with Telephoto Lens* | Two Views at Once | IP65 Water and Dust Resistance

*This magnification calculation is based on laboratory data, obtained by cropping the image from the fixed wide-angle lens to match the frame size of the PT telephoto lens and then comparing the pixel values.

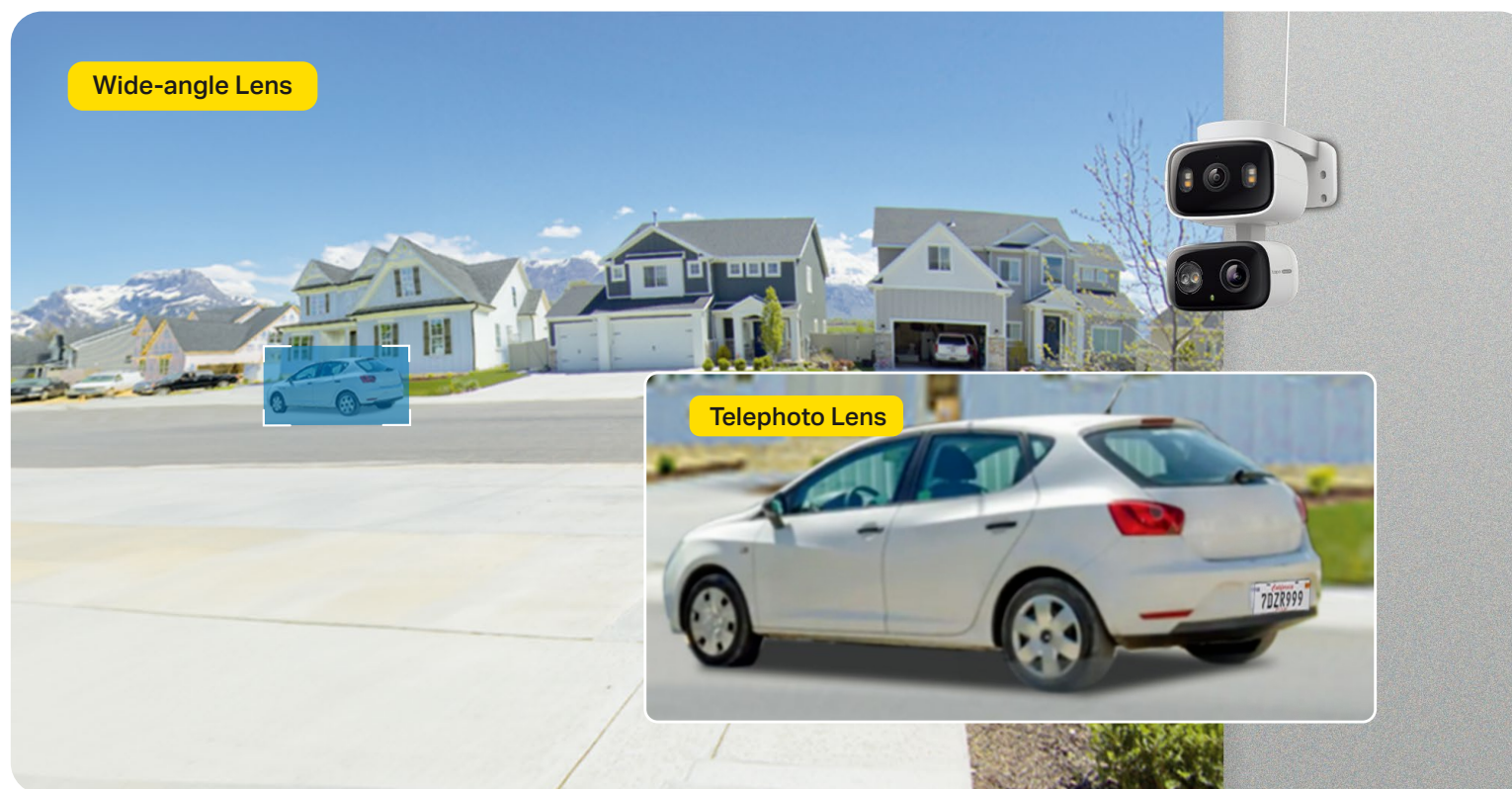


Works with
Samsung SmartThings

// Highlights

Superior Clarity and Coverage. Seamless Monitoring.

Two 2K 3MP lenses work together to capture a broader perspective, minimizing blind spots and delivering all-round protection for your home.



// Features



Synchronized Smart Tracking

The PTZ camera seamlessly follows movements detected by the fixed camera, ensuring comprehensive and dynamic protection.



Color Night Vision with Spotlights

Reveals high-fidelity details and color at night with the embedded spotlights.



Customizable Privacy Zones

Set customizable privacy zones to keep private areas from being monitored.



One-Tap Smart Focus

Simply select an area within the wide-angle view, and the PTZ camera will instantly focus on that point.



Compact Design for Multiple Installation Methods

It can be placed upright or upside down, on a desk, hung on a wall, mounted on the ceiling, or held by a rod.



Free Smart AI Detection

Identifies people, pets, vehicles and baby crying while only sending you alerts when truly needed.



Two Views at Once

One camera, two areas monitored simultaneously, ensuring minimal blind spots.



Customizable Activity Zones

Set up specific detection zones to be alerted for areas that matter most.



Local[†] and Cloud[‡] Storage

Save recorded videos to a microSD card (up to 512 GB)[†] or by using Tapo Care[‡] cloud storage services.

[†]microSD card purchased separately. Actual storage capacity depends on the size of the microSD card used.

[‡]Subscribe for cloud storage at <https://www.tapo.com/tapocare/>

For more information, please visit <https://www.tapo.com/>

All brands and product names are trademarks or registered trademarks of their respective holders. Specifications are subject to change without notice.

©2025 TP-Link

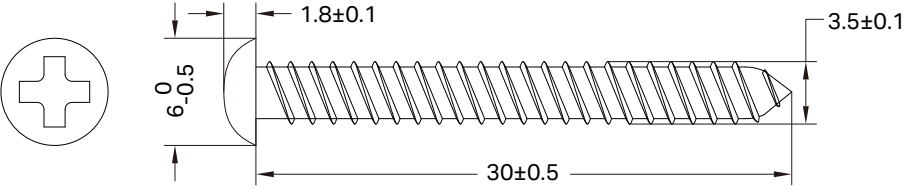
// Specifications

Camera	Image Sensor	1/2.8" Progressive Scan CMOS Starlight Sensor
	Lens	Fixed Lens Focal Length: 2.8 mm Aperture: F1.6 Field of View: 125.5° (Diagonal), 107.8° (Horizontal), 57.8° (Vertical) PT Lens Focal Length: 6.0 mm Aperture: F1.6 Field of View: 67.1° (Diagonal), 57.8° (Horizontal), 30.1° (Vertical)
	Night Vision	850 nm IR LED (40 ft / 12 m), Color Night Vision
	Day/Night Switch	IR-Cut Filter with Auto-Switching
	Lighting	/
	Interface & Button	1× RESET Button 1× microSD Card Slot (Up to 512 GB)
	Hub Compatibility	/
	Video & Audio	Maximum Resolution
Frame Rate		15 fps
Digital Zoom		10.8×

Video & Audio	Video Compression	H.264
	Live View	Yes
	Image Enhancement	3DNR WDR
	Audio Input & Output	Built-in Microphone and Speaker
	Audio Communication	Two-Way Audio with Noise Cancellation
	Siren Volume	100.1 dB (Level measured at 4-inch/10-cm distance)
Storage	Local Storage	microSD Card Slot on Camera (Up to 512 GB)
	Cloud Storage	Tapo Care Cloud Storage Services (Subscription required)
Detection & Notification	AI Detection	Motion Detection Person Detection Pet Detection Vehicle Detection Line-Crossing Detection Baby Crying Detection Glass Break Detection Dog Barks Detection Cat Meows Detection Camera Tampering
	Activity Zones	Yes *Works with Motion Detection, Person Detection, Pet Detection, and Vehicle Detection

Detection & Notification	Output Notification	System Notification System Notification with Snapshot (Tapo Care Services)
Network	Network Connectivity	Connect via Wi-Fi
	Wireless Connectivity	IEEE 802.11b/g/n, 2.4 GHz Wi-Fi
	Transmission Rate	11b: 11 Mbps 11g: 54 Mbps 11n: 72.2 Mbps
	Protocol	TCP/IP, DHCP, ICMP, DNS, NTP, HTTPS, TCP, UDP
	Max. Distance Between Hub and Camera/Doorbell	/
	Ethernet Port	/
	RTSP	Yes
	ONVIF	Yes
Security	Security	On-Device Machine Learning 128-bit AES Encryption with SSL/TLS PWPA/WPA2-PSK
Power	Power Source	5 V DC Power Adapter
	Input Voltage	100-240 V, 50/60 Hz, 0.3A

Power	Output Voltage	5.0 V, 2.0 A (Type-C Power)
	Power Cord Length	3 m
	Typical Power Consumption	3.0W
	Maximum Power Consumption	9.0 W
General	Smart Integration	Google Assistant, Amazon Alexa, Samsung SmartThings
	Weather Resistance	IP65
	Mounting Options	Tabletop Wall-Mounted Ceiling-Mounted Pole-Mounted
	Operating Temperature	-20 °C ~ 50 °C (-4 °F ~ 122 °F)
	Storage Temperature	-40 °C ~ 60 °C (-40 °F ~ 140 °F)
	Operating Humidity	10% ~ 90% RH, Non-condensing
	Storage Humidity	0 ~ 90% RH, Non-condensing

General	Mounting Screw Size	
	Dimensions	3.07*3.02*4.20 in (78*76.83*106.83 mm)
	Weight	9.77 oz / 277 g
	Package Contents	Tapo C246D Camera × 1 Mounting Bracket × 1 Mounting Template Sticker × 1 Mounting Anchors × 4 Mounting Screws × 4 Power Adapter × 1 3 m USB Adapter Cable × 1 Quick Start Guide