

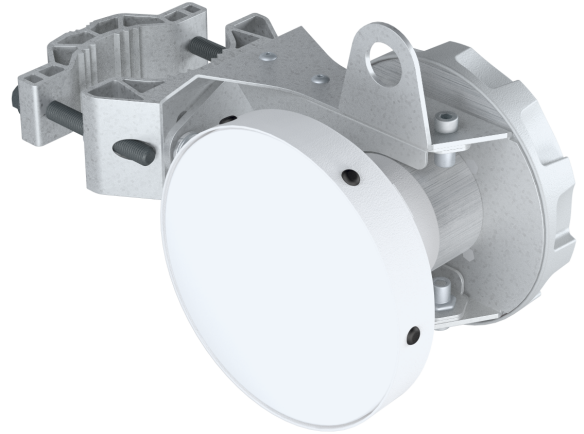
# SH60WB GO 5 + 6 GHz Wideband 60° Symmetrical Horn

## Sector Horn Antenna For Highly Scalable Multiband Fixed Wireless Networks

SH30WB-GO is a 60° Symmetrical Horn Antenna with symmetrical beam pattern and attenuated side lobes. This Antenna offers great noise rejection in a extremely wide working band covering entire 5 GHz and 6 GHz unlicensed bands. They are perfect for MicroPoPs, dense co-location deployments and Wi-Fi networks.

These antennas provide unmatched scalability, exceptional longevity, and outstanding cost-effectiveness. Built from highly corrosion-resistant materials, they are designed for long-term deployment in the most demanding environments, including coastal areas and other harsh outdoor conditions.

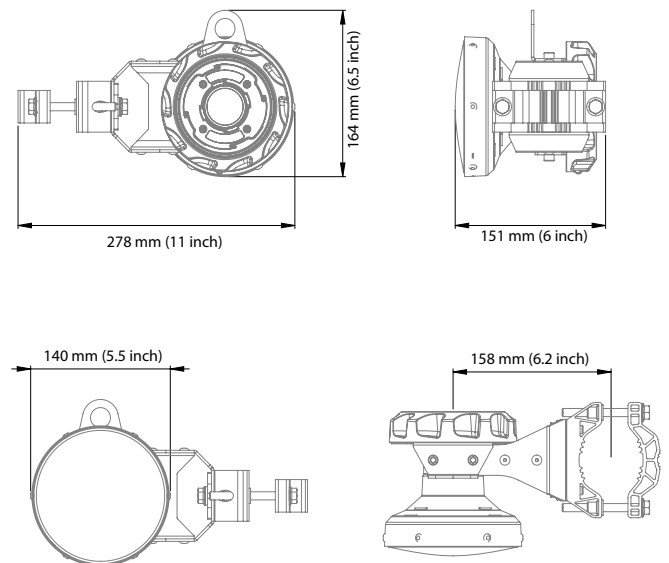
- Wideband performance covering entire 5 GHz and entire 6 GHz unlicensed bands
- Industry-changing TwistPort™ waveguide connector. Connect directly to waveguide ported radios or use TP Adaptor (TPA) to convert to common coaxial connectors.
- Built of high grade aluminum sheets and extruded aluminum for extreme outdoor resistance including harsh salt water and chemically challenging environments.
- Extremely lightweight and compact for low tower load and low wind loading
- Stainless steel hardware with anti-seize coating
- Industry leading ergonomics with an integrated eyelet for carabiner attachment
- Highly resistant dual layer ABS radome with additional PMMA protection layer



### TECHNICAL DATA

Radio Connection	TwistPort™ Waveguide Connector
Antenna Type	Horn
Materials	Aluminum, Stainless Steel, ABS, PMMA
Environmental	IP55
Pole Mounting Diameter	40-80 mm (1.5-3.1 inch) Recommended as close to 80 mm (3.1 inch) as possible
Temperature	-35°C to +60°C (-31°F to +140°F)
Wind Survival	160 km/h (100 mph)
Wind Load	15/12 N - Front/Side at 160 km/h (100 mph)
Effective Projected Area	125/95 cm² - Front/Side (19.4/14.7 in²)
Mechanical Adjustment	± 25° Elevation
Weight	1.3 kg / 2.9 lbs – single unit 1.9 kg / 4.2 lbs – single unit incl. package 11 kg / 24.3 lbs - wholesale carton (5 units)
Dimensions	Single unit retail box: 380 x 300 x 300 mm (15.0 x 11.8 x 11.8 inch) Wholesale carton (5 units): 1050 x 280 x 290 mm (41.3 x 11 x 11.4 inch)

### PRODUCT DIMENSIONS



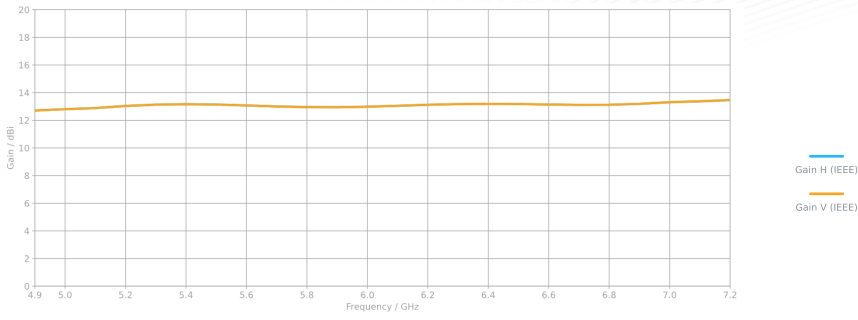
### PERFORMANCE

Frequency Range	4900 - 7200 MHz
Gain	13 dBi
Azimuth Beam Width -3 dB/-6dB	H 41°, V 41° / H 59°, V 60°
Elevation Beam Width -3 dB/-6dB	H 41°, V 41° / H 60°, V 59°
Beam Efficiency*	100 %
Front-to-Back Ratio	33 dB ≤
VSWR**	≤ 1.6 (5000 - 7100 MHz) ≤ 1.9 (4900 - 7200 MHz)
Polarization**	Dual Linear H + V
Impedance	50 Ohm

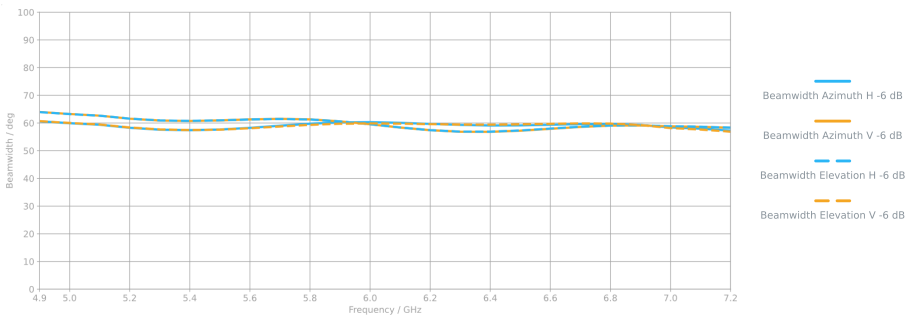
\* Beam efficiency defined up to first null

\*\* Defined by connected antenna feed or radio

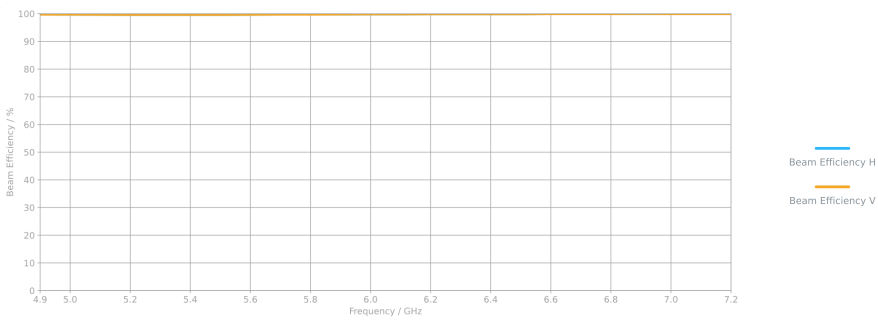
**ANTENNA GAIN**



**ANTENNA BEAMWIDTH**



**BEAM EFFICIENCY**



**RADIATION PATTERNS**

