

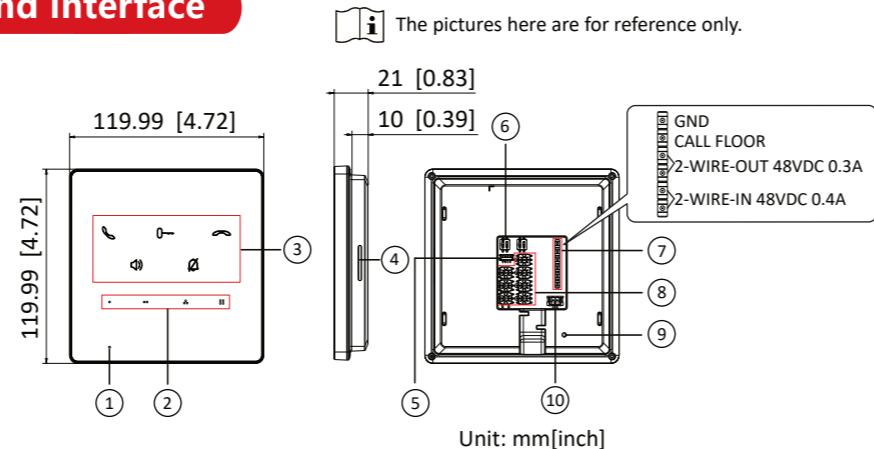


DS-KH7000EY Series Indoor Station User Manual UD37721B-A

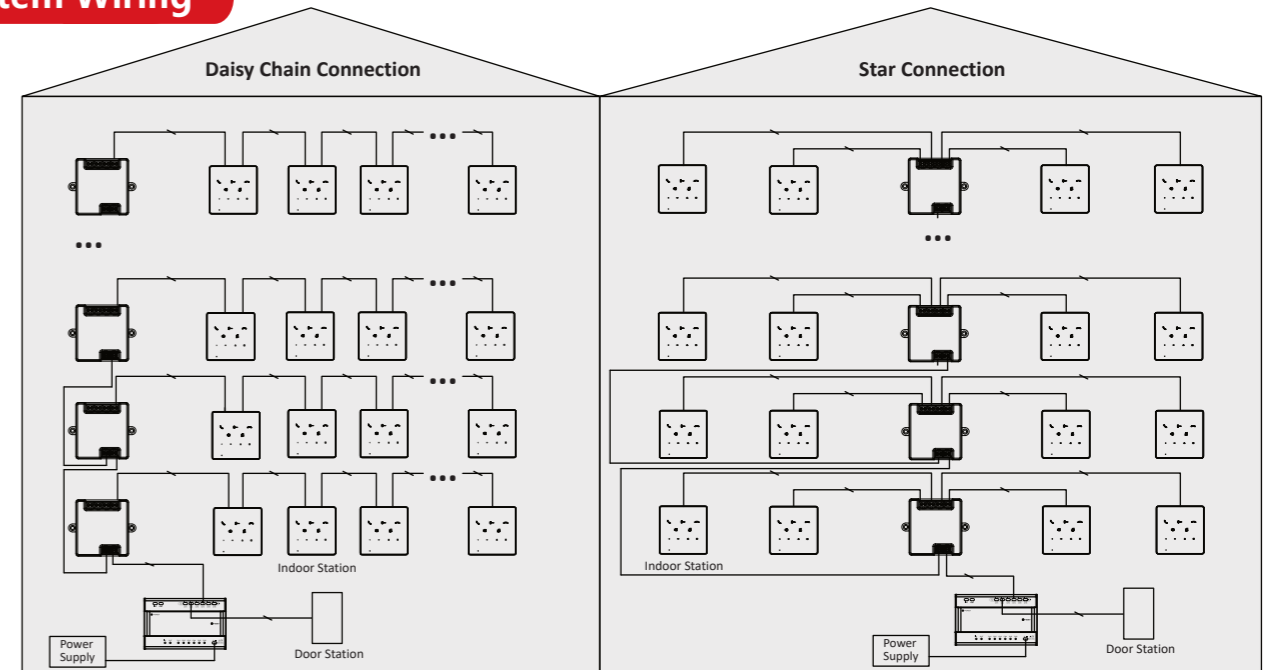
Quick Guide



Appearance and Interface



2.1 System Wiring



About this Document

- This Document includes instructions for using and managing the Product. Pictures, charts, images and all other information hereinafter are for description and explanation only.
- The information contained in the Document is subject to change, without notice, due to firmware updates or other reasons. Please find the latest version of the Document at the Hikvision website (<https://www.hikvision.com>). Unless otherwise agreed, Hangzhou Hikvision Digital Technology Co., Ltd. or its affiliates (hereinafter referred to as "Hikvision") makes no warranties, express or implied.
- Please use the Document with the guidance and assistance of professionals trained in supporting the Product.

About this Product

- This product can only enjoy the after-sales service support in the country or region where the purchase is made.
- If the product you choose is a video product, please scan the following QR code to obtain the "Initiatives on the Use of Video Products", and read it carefully.

Acknowledgment of Intellectual Property Rights

- Hikvision owns the copyrights and/or patents related to the technology embodied in the Products described in this Document, which may include licenses obtained from third parties.
- Any part of the Document, including text, pictures, graphics, etc., belongs to Hikvision. No part of this Document may be excerpted, copied, translated, or modified in whole or in part by any means without written permission.
- HIKVISION and other Hikvision's trademarks and logos are the properties of Hikvision in various jurisdictions.
- Other trademarks and logos mentioned are the properties of their respective owners.

LEGAL DISCLAIMER

TO THE MAXIMUM EXTENT PERMITTED BY APPLICABLE LAW, THIS DOCUMENT AND THE PRODUCT DESCRIBED, WITH ITS HARDWARE, SOFTWARE AND FIRMWARE, ARE PROVIDED "AS IS" AND "WITH ALL FAULTS AND ERRORS". HIKVISION MAKES NO WARRANTIES, EXPRESS OR IMPLIED, INCLUDING WITHOUT LIMITATION, MERCHANTABILITY, SATISFACTORY QUALITY, OR FITNESS FOR A PARTICULAR PURPOSE. THE USE OF THE PRODUCT BY YOU IS AT YOUR OWN RISK. IN NO EVENT WILL HIKVISION BE LIABLE TO YOU FOR ANY SPECIAL, CONSEQUENTIAL, INCIDENTAL, OR INDIRECT DAMAGES, INCLUDING, AMONG OTHERS, DAMAGES FOR LOSS OF BUSINESS PROFITS, BUSINESS INTERRUPTION, OR LOSS OF DATA, CORRUPTION OF SYSTEMS, OR LOSS OF DOCUMENTATION, WHETHER BASED ON BREACH OF CONTRACT, TORT (INCLUDING NEGLIGENCE), PRODUCT LIABILITY, OR OTHERWISE, IN CONNECTION WITH THE USE OF THE PRODUCT, EVEN IF HIKVISION HAS BEEN ADVISED OF THE POSSIBILITY OF SUCH DAMAGES OR LOSS.

YOU ACKNOWLEDGE THAT THE NATURE OF THE INTERNET PROVIDES FOR INHERENT SECURITY RISKS, AND HIKVISION SHALL NOT TAKE ANY RESPONSIBILITIES FOR ABNORMAL OPERATION, PRIVACY LEAKAGE OR OTHER DAMAGES RESULTING FROM CYBER-ATTACK, HACKER ATTACK, VIRUS INFECTION, OR OTHER INTERNET SECURITY RISKS; HOWEVER, HIKVISION WILL PROVIDE TIMELY TECHNICAL SUPPORT IF REQUIRED.

YOU AGREE TO USE THIS PRODUCT IN COMPLIANCE WITH ALL APPLICABLE LAWS, AND YOU ARE SOLELY RESPONSIBLE FOR ENSURING THAT YOUR USE CONFORMS TO THE APPLICABLE LAW. ESPECIALLY, YOU ARE RESPONSIBLE FOR USING THIS PRODUCT IN A MANNER THAT DOES NOT INFRINGE ON THE RIGHTS OF THIRD PARTIES, INCLUDING WITHOUT LIMITATION, RIGHTS OF PUBLICITY, INTELLECTUAL PROPERTY RIGHTS, OR DATA PROTECTION AND OTHER PRIVACY RIGHTS. YOU SHALL NOT USE THIS PRODUCT FOR ANY PROHIBITED END-USES, INCLUDING THE DEVELOPMENT OR PRODUCTION OF WEAPONS OF MASS DESTRUCTION, THE DEVELOPMENT OR PRODUCTION OF CHEMICAL OR BIOLOGICAL WEAPONS, ANY ACTIVITIES IN THE CONTEXT RELATED TO ANY NUCLEAR EXPLOSIVE OR UNSAFE NUCLEAR FUEL-CYCLE, OR IN SUPPORT OF HUMAN RIGHTS ABUSES.

IN THE EVENT OF ANY CONFLICTS BETWEEN THIS DOCUMENT AND THE APPLICABLE LAW, THE LATTER PREVAILS.

1 Set Physical Address

Indoor Station

No. Settings

Use the rotary switch to set the indoor extension No., the building No., and the room No. The Tens column refers to the number in Tens, and the Units column refers to the number in Units.

On each rotary switch, 0 to 9 refers to No. 0 to 9.

In total, you can use 1 to 3 to number the indoor extension No., and use 1 to 99 to number the building or the room.

Use the screwdriver to adjust the number. The arrow indicates the number.

Ringtone Settings

You can set ringtone of indoor station via DIP switch.

There are four ringtones for you to select (Set the Dip switch as 00, 01, 10 or 11).

After adjusting the DIP switch, the new ringtone will be automatically played.

Professional Studio

You can enable the function of **Professional Studio** via DIP 3.

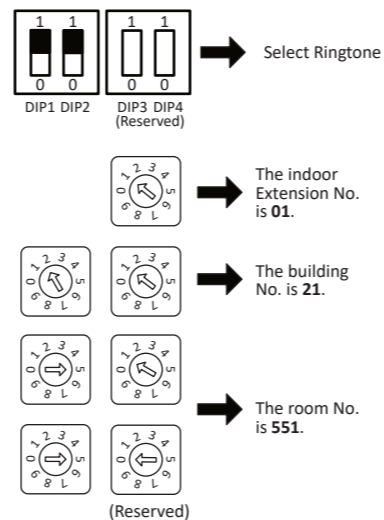
After enabling this function, the indoor station supports automatic unlocking when receiving call from the door station.

The call will be hung up automatically 5 seconds after the lock is unlocked.



- DIP 1 and DIP 2 are for ringtone settings, and DIP 3 and DIP 4 are reserved.
- When DIP 4 is dailed to 1, the function of **Professional Studio** can only be triggered when receiving or answering a call.
- The device is on debugging mode when the extension No. is 9. You can operate the indoor station on debugging mode without connecting to the door station.

For example:



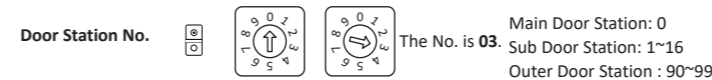
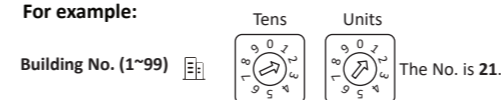
Door Station

Use the rotary switch to set the building No., door station No., sub door station, outer door station No. and door open duration. The Tens column refers to the number in Tens, and the Units column refers to the number in Units. On each rotary switch, 0 to 9 refers to No. 0 to 9.

In total, you can use 1 to 99 to number the building.

If the door station is main door station, the **Door Station No.** should be set as 0; If it is sub door station, set **Door Station No.** as 1~16; If it is outer door station, set **Door Station No.** as 90~99. Use the screwdriver to adjust the number. The arrow indicates the number.

For example:



Rotary Switch	Door Open Duration(s)
0	2
1	1
2	3
3	4
4	5
5	8
6	10
7/8/9	2



It is recommended to stick the supplied number remark on the back of shiyongthe device to indicate the device's No.

